

LGK-3901

3Gbps/HD/SD channel branding processor



DESCRIPTION

The Densité LGK-3901 is a low cost, modular channel branding processor, capable of inserting up to five layers of graphics into 3Gbps/HD/SD. Three of the keying layers can be fed by internally stored still/animated graphics, and two layers are fed by external graphics devices. It also offers character generation, clock insertion, EAS support, and audio clip/voice-over playout. The LGK-3901 is ideal for pre-rendered graphics.

A template-based character generator can insert a crawl layer or a static (dynamically updated) text layer. High quality characters are output with 256 level anti-aliasing, with easy drop shadow and transparency control. Unicode characters in Truetype fonts, are available from 6 to 600 pixels, in any RGB color. The EAS option (USA) enables emergency text and voice-overs to be inserted (requires an A to D converter to provide AES input).

An optional integrated audio mixer provides eight channel voice-over/audio clip storage/playout. Background audio is automatically ducked during voice-overs. Audio can be accepted as embedded audio or by four external AES inputs.

The LGK-3901 can be used with the Vertigo Suite's work order management, graphics preparation, asset management and playout automation workflow tools. The Vertigo Suite streamlines graphics operations in localized and distributed environments, and contributes to lower costs, faster delivery, and greater creativity.

KEY FEATURES AND BENEFITS

Modular, 3Gbps / HD / SD branding processor

- › Modular master control and branding processor
- › Module is housed in Densité 3 frame, with up to 10 cards (channels) per frame
- › Supports 3Gbps/HD/SD (1080p, 1080i, 720p, 576i, 480i, 59.94 Hz and 50 Hz)
- › Uses widely adopted Oxtel automation protocol (Ethernet, RS-232/422)
- › Manual control options include Branding Panel, PresStation, Vertigo Xpanel GUI, and iControl PC-based control

Multi-layer channel branding

- › Five independent keying layers: three can be fed by internally stored stills/animations, and two layers are fed by external graphics devices (dual fill and key inputs)
- › Integral storage capacity of up to 4000 images/animations
- › Independent preview output
- › Automated character generation for static or data-driven text rendering and crawls
- › In-vision digital / analog clock insertion (with CG option)
- › Emergency Alert System (EAS) support (USA only)
- › Multichannel voice-overs and audio clip playback *
- › Temperature sensor option

Master control switching

- › AB video mixing option, with 16 channel audio mixing
- › X-fade, V-fade and asymmetric V-fade transitions

Streamlined workflow

- › Fully compatible with Vertigo branding graphics automation and asset management system for highly productive, cost-saving workflows
- › Easy integration into a familiar After Effects® based workflow, using the Vertigo After Effects® plug-in

Robust design

- › Compact flash memory for O/S and graphics storage
- › Rugged Linux architecture
- › Densité 3 frame offers redundant, hot swappable power supplies
- › Mechanical bypass of program input
- › Easy diagnostics via Densité 3 front panel, video thumbnails over IP, and iControl monitoring and control system

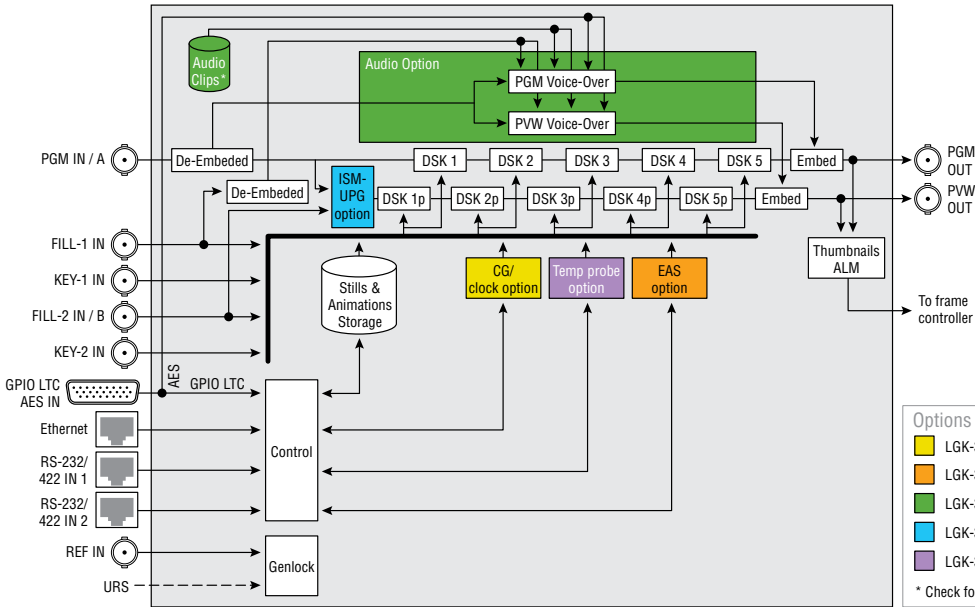
Comprehensive Densité range

- › LGK-3901 can be easily combined with other Densité modules in the 3RU Densité frame, including signal processors, DAs, and multiviewers

* Option

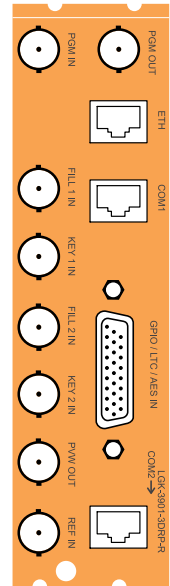


The LGK-3901 channel branding processor provides five independent keying layers, automated character generation, EAS insertion, and audio voice-overs.



LGK-3901 Functional Block Diagram

- Options**
- LGK-3901-OPT-TXT
 - LGK-3901-OPT-EAS
 - LGK-3901-OPT-AUD
 - LGK-3901-ISM-UPG
 - LGK-3901-OPT-TEMP
- * Check for availability



LGK-3901-3DRP-R

TECHNICAL SPECIFICATIONS

PROGRAM AND FILL AND KEY INPUTS

Signal: 3Gbps/HD/SD-SDI SMPTE 424M, 292M, and 259M-C compliant
Supports data rates of 270, 1483.5, 1485, 2967, 2970 Mbps

Cable length (Belden 1694A): 60 m (180 ft) at 3 Gbps
120 m (360 ft) at 1.5 Gbps
300 m (1000 ft) at 270 Mbps

Return loss *: >15 dB for up to 1.5 GHz
>10 dB from 1.5 GHz to 3 GHz

PROGRAM AND PREVIEW OUTPUTS

Signal: 3Gbps/HD/SD-SDI SMPTE 424M, 292M, and 259M-C compliant
Supports data rates of 270, 1483.5, 1485, 2967, 2970 Mbps

Return loss *: >15 dB for up to 1.5 GHz
>10 dB from 1.5 GHz to 3 GHz

Jitter (wideband): HD/SD: <0.2 UI
3 Gbps: <0.3 UI

REFERENCE INPUT

Signal: SMPTE 170M/SMPTE 318M/ITU 624-4/BUT 470-6 or comp. sync SMPTE 274M / SMPTE 296M tri-level sync

Return loss: >35 dB up to 5.75 MHz

SERIAL CONTROL

Connector: RJ45
Signal: RS-232/422
Data rate: 9600, 19200, 38400, 57600, 76800, 115200

EMBEDDED AUDIO PROCESSING PERFORMANCE

Quantization: 20-24 bits
Sampling: 48 kHz, synchronous
Number of channels: 16, 4 groups

ELECTRICAL

Power 25 W

* Return loss figures may differ when signal is routed through the bypass relay

VIDEO PROCESSING PERFORMANCE

Signal path: 10 bits

ORDERING INFORMATION

LGK-3901-4GB	3Gbps/HD/SD logo inserter with 4 GB storage
LGK-3901-8GB	3Gbps/HD/SD logo inserter with 8 GB storage
LGK-3901-16GB	3Gbps/HD/SD logo inserter with 16 GB storage
LGK-3901-32GB	3Gbps/HD/SD logo inserter with 32 GB storage
LGK-3901-4GB-SD	SD logo inserter with 4 GB storage
LGK-3901-8GB-SD	SD logo inserter with 8 GB storage
LGK-3901-3DRP-R	Double rear connector panel with bypass relay

OPTIONS

- LGK-3901-OPT-TXT
- LGK-3901-OPT-EAS
- LGK-3901-OPT-AUD
- LGK-3901-ISM-UPG
- LGK-3901-OPT-TEMP
- LGK-3901-8GB-UPG
- LGK-3901-16GB-UPG
- LGK-3901-32GB-UPG
- LGK-3901-HD-UPG

DESCRIPTION

Easytext character generator (includes analog/digital clocks)
EAS support - USA only
Audio/voice-over option
Option to upgrade to ISM
Temperature probe option
Upgrade to 8 GB storage
Upgrade to 16 GB storage
Upgrade to 32 GB storage
Upgrade from SD to 3Gbps/HD for LGK-3901-SD

HOUSING FRAME

Densité 3 frame

DESCRIPTION

Housing frame with (1) PSU (AC IN), (1) Ethernet controller with front control panel, blank rear panels (up to 10 LGK-3901 processors per 3RU frame)

REMOTE CONTROL

iControl, iControl Solo, Xpanel, RCP-BR, RCP-200 *

* For full list of supported cards, visit www.miranda.com/RCP-200