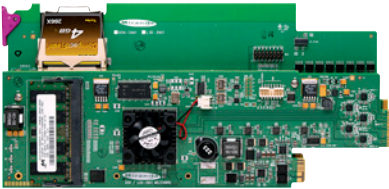
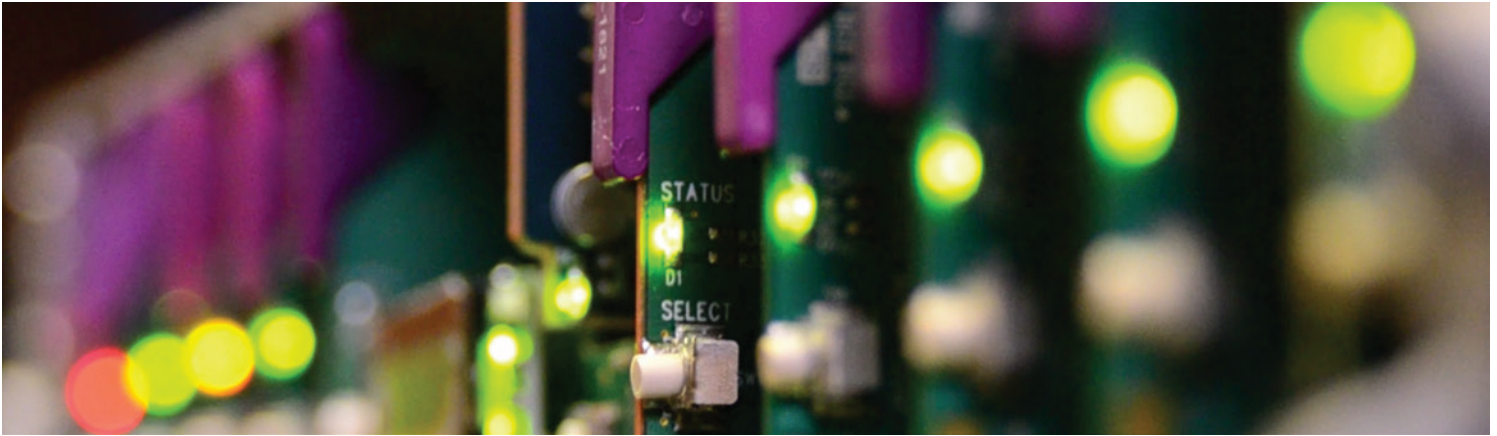


DSK-3901

3G/HD/SD Downstream Keyer



Promote your brand and efficiently deliver your channels.

The Densité DSK-3901 from Grass Valley, a Belden Brand, is a low cost, modular downstream keyer, with two independent pairs of fill and key inputs. This 3G/HD/SD keyer is ideal for inserting two external character generator feeds over program video. Up to 10 channels of keying can be housed in a single 3 RU Densité 3 frame.

An integrated audio mixer provides eight channel voiceovers, as well as audio clip storage and playout. Background audio is automatically ducked during voiceovers. Audio can be accepted as embedded audio or as four external AES inputs. The audio mixer features separate processing for the program and the preview chains.

A dedicated full preview channel offers an operator the option to feed the same signal to the program and preview chains, or use a different signal for the preview chain using the Fill-2 input.

The DSK-3901 can be manually controlled by the Branding Panel, and under automation using the widely adopted Oxtel protocol.



The DSK-3901 channel branding processor provides dual fill and key inputs and eight channel audio voice-overs.

DSK-3901 3G/HD/SD Downstream Keyer

KEY FEATURES

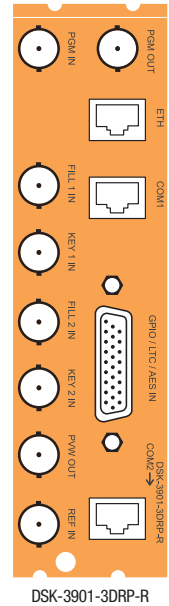
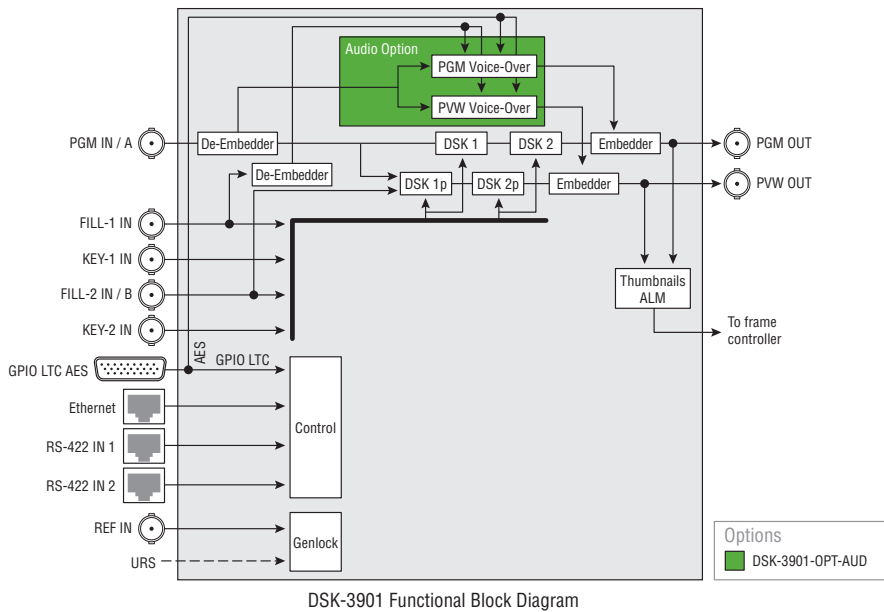
- Downstream keyer with dual, independent fill and key inputs
- Independent preview output
- Module is housed in Densité 3 frame, with up to 10 cards (channels) per frame
- Supports 3G/HD/SD (1080p, 1080i, 720p, 576i, 480i, 59.94 Hz and 50 Hz)
- Uses widely adopted Oxtel automation protocol (Ethernet, RS-232/422)
- Manual control options, include Branding Panel, Xpanel GUI and iControl PC-based control
- Eight channel voiceover option available

Robust design

- Compact flash memory for O/S
- Rugged Linux architecture
- Densité 3 frame offers redundant, hot-swappable power supplies
- Mechanical bypass of program input
- Easy diagnostics via Densité 3 front panel and iControl monitoring and control system

Comprehensive Densité range

- DSK-3901 can be easily combined with other Densité modules in the 3 RU frame, including routers, DAs, converters and monitoring modules



SPECIFICATIONS

Program and Fill And Key Inputs

Signal: 3G/HD/SD-SDI SMPTE 424M, 292M, and 259M-C compliant

Supports data rates of 270, 1483.5, 1485, 2967, 2970 M/ps

Cable length (Belden 1694A):

- 60m (180 ft.) at 3 Gb/s
- 120m (360 ft.) at 1.5Gb/s
- 300m (1,000 ft.) at 270 Mb/s

Return loss*:

- >15 dB for up to 1.5 GHz
- >10 dB from 1.5 GHz to 3 GHz

Program and Preview Outputs

Signal: 3G/HD/SD-SDI SMPTE 424M, 292M, and 259M-C compliant

Supports data rates of 270, 1483.5, 1485, 2967, 2970 Mb/s

Return loss*:

- >15 dB for up to 1.5 GHz
- >10 dB from 1.5 GHz to 3 GHz

Jitter (wideband):

- HD/SD: <0.2 UI
- 3 Gbps: <0.3 UI

Reference Input

Signal: SMPTE 170M/SMPTE 318M/ITU 624-4/BUT 470-6 or comp. sync

SMPTE 274M / SMPTE 296M tri-level sync

Return loss: >35 dB up to 5.75 MHz

Serial Control

Connector: RJ45

Signal: RS-232/422

Data rate: 9600, 19200, 38400, 57600, 76800, 115200

Video Processing Performance

Signal path: 10 bits

Embedded Audio Processing Performance

Quantization: 20-24 bits

Sampling: 48 kHz, synchronous

Number of channels: 16, 4 groups

Electrical

Power: 25W

*Return loss figures may differ when signal is routed through the bypass relay.

ORDERING

DSK-3901	3G/HD/SD downstream keyer
DSK-3901-SD	SD downstream keyer
DSK-3901-3DRP-R	Double rear connector panel

Housing frame	Description
Densité 3 frame	Housing frame with (1) PSU (AC IN), (1) Ethernet controller with front control panel, blank rear panels

Options	Description
LGK-3901-OPT-AUD	Audio voiceover option
DSK-3901-HD-UPG	Upgrade from SD to 3G/HD for DSK-3901-SD
DSK-3901-UPG	Upgrade to LGK-3901 channel branding processor
RCP-BR	Branding panel remote control panel remote control
Remote control	iControl, iControl Solo, RCP-200



WWW.GRASSVALLEY.COM

Join the Conversation at **GrassValleyLive** on Facebook, Twitter, YouTube and **Grass Valley - A Belden Brand** on LinkedIn.



Belden, Belden Sending All The Right Signals and the Belden logo are trademarks or registered trademarks of Belden Inc. or its affiliated companies in the United States and other jurisdictions. Grass Valley, Densité and iControl are trademarks or registered trademarks of Grass Valley, Belden Inc., Grass Valley and other parties may also have trademark rights in other terms used herein.

Copyright © 2014 Grass Valley. All rights reserved. Specifications subject to change without notice.