

Intuition XG

Advanced HD/SD Graphics Coprocessor



Promote your brand and efficiently deliver your channels.

The Intuition XG graphics coprocessor significantly extends the graphics capabilities of master control switchers and production switchers.

With single or dual fill and key inputs (HD/SD), it can playout the most advanced data-driven, channel branding and promotional graphics, including “coming up next” and program junction promos.

It provides multilevel character generation plus animation/still and clip playout with multichannel audio.

KEY FEATURES

Multilevel character generation

- A powerful, HD/SD character generator allows the playout of virtually unlimited layers of animated and dynamically updated text
- SD output as NTSC or PAL, HD output as 1080i, 720p or 480p
- VANC + VBI extraction processing and insertion, or VANC/VBI pass through

Clips, animations and stills

- Storage for up to 400 hours of video/audio clips, with simultaneous playout of multiple clips
- Playout of an almost unlimited number of layers of animated and still graphics for the most advanced branding and promotional effects
- Integration with Vertigo Suite for productive graphics workflows

Audio clip playback

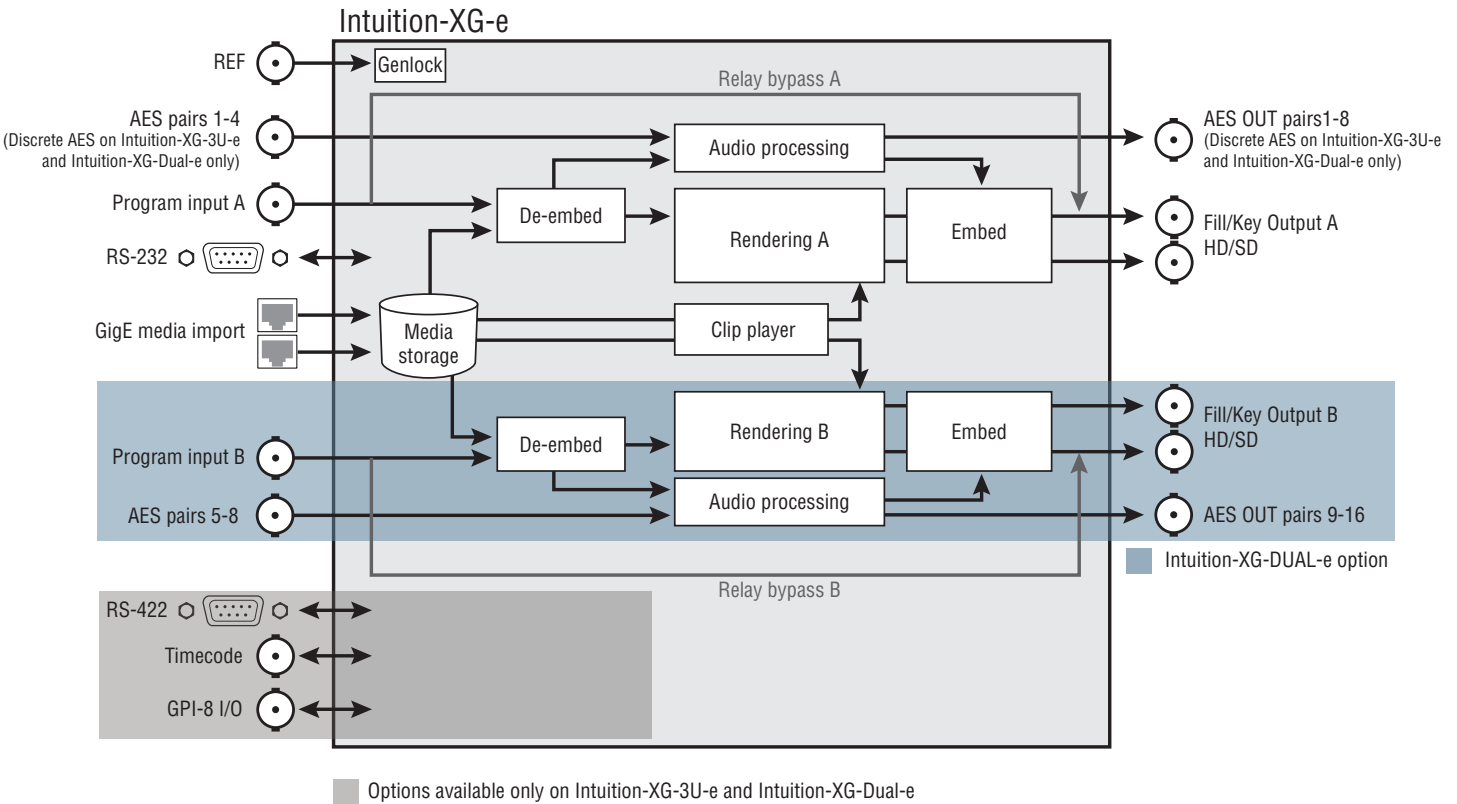
- Four group audio support, with 16 embedded channels and up to 8 AES outputs, which can feed any master control switching system

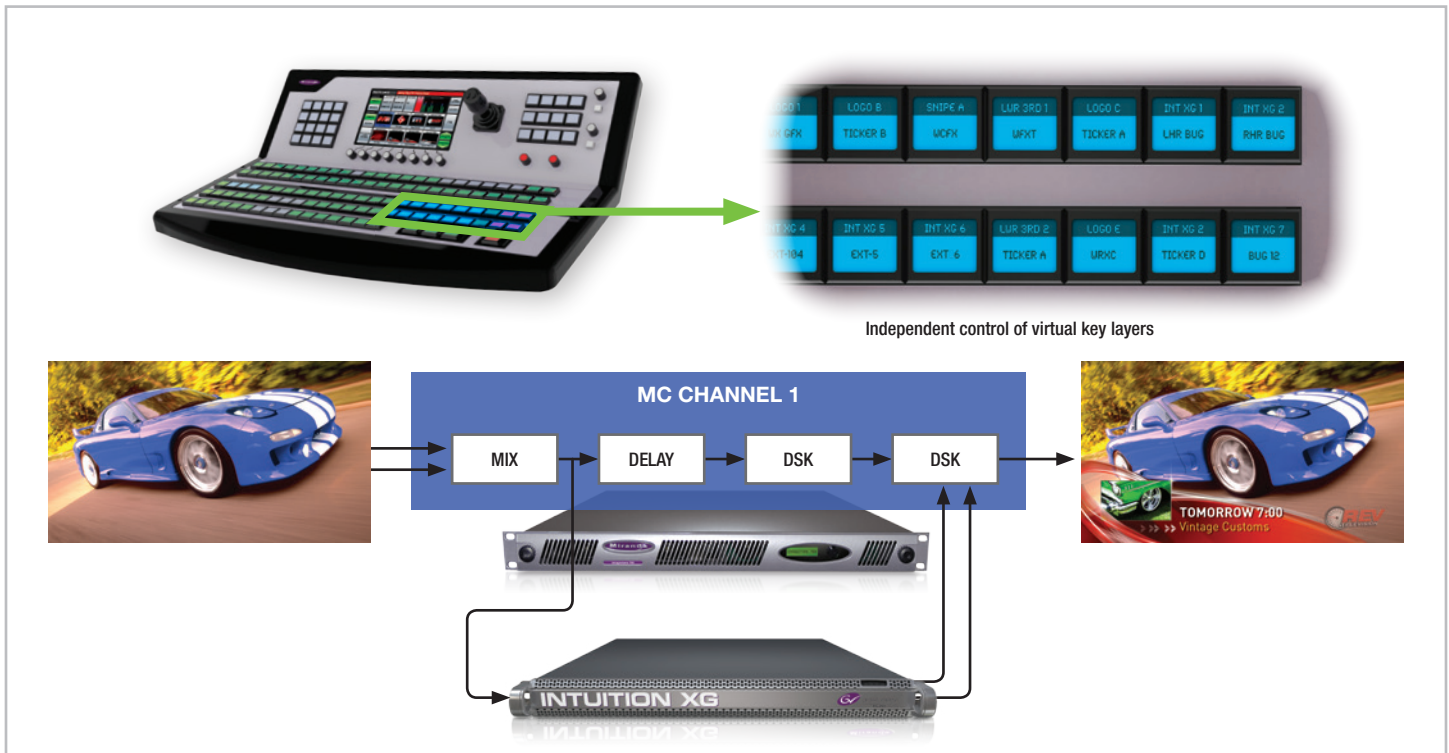
Robust, automated and manual operation

- Robust broadcast architecture with video bypass, redundant power, RAID storage, hot swappable fans and drives
- Automation control by serial, Ethernet and GPI commands
- Manual control from iMC panel

Single or dual channel operation

- Three versions are available for single or dual channel operation:
 - Single channel, 1 RU (Intuition-XG-e w):
 - Single program input
 - Single fill and key outputs
 - Embedded audio processing
 - 1 TB RAID 1 storage (2x1 TB mirrored)
 - Single channel, 3 RU (Intuition-XG-3U-e) :
 - Single program input
 - Single fill and key outputs
 - Fully redundant PSUs (3)
 - Embedded audio processing plus up to 4 AES inputs/8 AES outputs
 - 1 TB RAID 1 storage (2x1 TB mirrored), upgradable to 2 TB
 - Dual channel, 3 RU (Intuition-XG-DUAL):
 - Dual program inputs
 - Dual fill and key outputs
 - Fully redundant PSUs (3)
 - Embedded audio processing plus up to 8 AES inputs/16 AES outputs
 - 1 TB RAID 1 storage (2x1 TB mirrored), upgradable to 2 TB





ORDERING

Rendering Hardware and Software

- Intuition-XG-e Intuition XG HD/SD graphics co-processor (one fill and key OUT)
- Intuition-XG-Dual-e* Intuition XG Dual-channel HD/SD graphics co-processor (two fill and key OUT)
- Intuition-XG-3U-e Intuition XG graphics HD/SD graphics co-processor (3 RU, one fill and key OUT)

*To be used only with NV5100MC Master Control products, not compatible with Imagestore series.

Intuition-XG Options

- Vx-RS422-e 2-port RS-422/485 card
- Vx-Audio-e Discrete audio
- Vx-GPI-8-e GPI card
- Vx-TC-e Timecode card
- Vx-ClipPlayer Clip player

