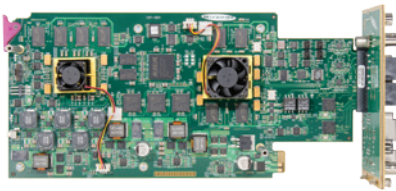


SSP-3801

HD/SD Solid-State Playout Card



Simple and secure cloud-enabled, solid-state playout.

The Densité SSP-3801 from Grass Valley, a Belden Brand is a single card, solid-state HD/SD playout server with one or two drives that is housed in the Densité 3 RU frame.

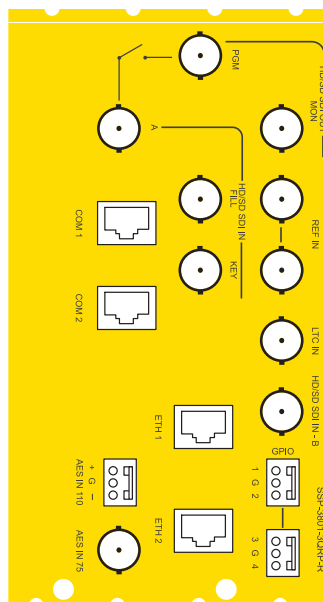
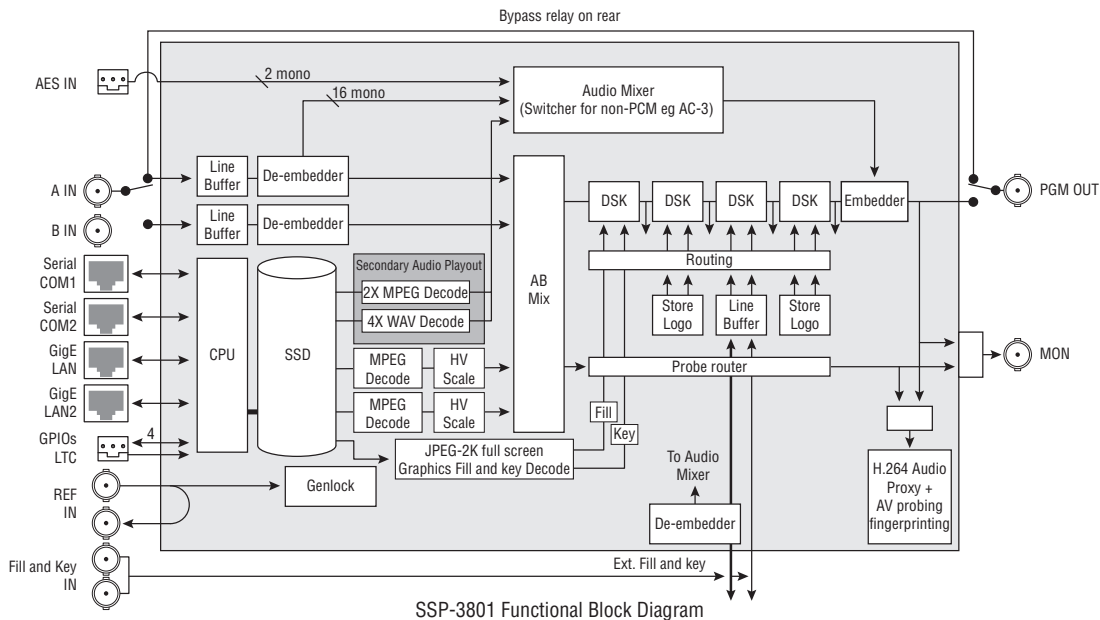
SSP-3801 is fully integrated with GV STRATUS Playout cloud-based automation and schedule management service and is equally suitable for deployment at a regional site or within a network operation center. SSP-3801 uses solid-state storage and broadcast hardware technology, with no reliance on external databases, resulting in low cost of ownership, rock solid reliability, total frame accuracy, simple installation and very low power consumption.

In addition to clip playback, the SSP-3801 can display still and animated logos, high-quality pre-rendered graphical sequences and incorporate the output of external graphics devices using a fill and key input.

SSP-3801 HD/SD Solid-State Playout Card

KEY FEATURES

- Full integration with GV STRATUS Playout using secure, open-standard web services protocols to provide playlist input, status updates, thumbnails and alerts to the end user
- Supports manual or playlist control of all display functions
- SCTE104 splice trigger support to facilitate local channel variations
- Solid-state disks provide high performance, high reliability storage of HD material and are available in 3 sizes: 375 GB, 775 GB and 1550 GB
- Embedded Linux OS enables cold boot to playout in under 45 seconds
- Pulls broadcast media from a number of configured locations for maximum resilience and flexibility
- Will robustly continue to operate during temporary loss of connection to GV STRATUS Playout using previously downloaded playlists or “evergreen” material
- Provides frame accurate playback of clip media including video, multichannel audio and ancillary data
- Supports live events including transitions and pass-through of video, audio and ancillary data
- Supports up to 4 OSD layers with configurable z-order including an external fill and key input
- Display of still and animated logos with full key channel
- Display of full-screen, pre-rendered graphics sequences with near-zero load time and unlimited file size
- Built-in voice-over playback support
- Controls Densité HCO change-over card for main and backup playout applications
- Supports media in MXF AS03 wrapper with MPEG-2 video, PCM Audio and SMPTE 436M ancillary data (includes IMX and XDCAM profile support)
- Full support for ancillary data with SMPTE-436M including subtitling, closed captioning and AFD
- All inputs and outputs support HD and SD (625, 525, 1080i and 720p at 50 and 59.94 frame rates)
- Dual video inputs and full resolution fill and key input for maximum flexibility
- Dual GigE network connections (may be bonded for network redundancy)
- Reference input with loop-through, LTC input, 4 GPIO ports, 2 serial ports
- Fully configurable over a network interface and supports backup of configuration data to Densité controller for hot swap functionality
- Occupies 4 Densité frame slots, can be combined with other Densité modules and consumes less than 50W
- Includes router control support (NVISION 9000 and NVISION Compact CQX)



SSP-3801-3QRP-R

SSP-3801 HD/SD Solid-State Playout Card

SPECIFICATIONS

Program (x2) and Fill & Key Inputs

Signal: HD/SD-SDI SMPTE 292M and 259M-C compliant

Supports data rates of 270, 1483.5 and 1485 Mb/s

Program and Preview Outputs

Signal: HD/ SD-SDI SMPTE 292M and 259M-C compliant

Supports data rates of 270, 1483.5 and 1485 Mb/s

Return loss:

>14 dB up to 1.5 GHz for A input and PGM output (with bypass relay)

>20 dB up to 1.5 GHz for all other inputs and outputs

Jitter:

SD: < 0.2 UI

HD: < 1.0 UI (timing), < 0.2 UI (alignment)

Cable length: 250m at 270 Mb/s, 150m at 1.5 Gb/s (Belden 1694a)

Reference Input

Signal:

SMPTE 170M/ SMPTE 318M/ ITU 624-4/ BUT 470-6 or comp sync

SMPTE 274M/ SMPTE 296M tri-level sync

Return loss: >35 dB up to 5.75 MHz

Network Interface (x2)

Signal:

Gb Ethernet with RJ45 connector (x2)

2 connections may be bonded for resilience

Serial Control (x2)

Connector: RJ45

Signal: RS-232/422

Data rate: 9600, 19200, 38400, 57600, 76800, 115200

Embedded Audio Processing Performance

Quantization:

SD: 20 bits

HD: 24 bits

Sampling: 48 KHz, synchronous

Number of channels: 16, 4 groups

Electrical

Power: 40W

Media Storage

Medium: 1 or 2 SSD drives

Max capacity: Limited only by available drives sizes (currently 1,550 GB total)

Primary Media Playback Format

Supports media in MXF AS03 wrapper with MPEG-2 video, PCM Audio and SMPTE 436M ancillary data (includes IMX and XDCAM profile support)

Wrapper: MXF AS03

Video:

MPEG-2 4:2:2 I frame

MPEG-2 4:2:0 I frame

MPEG-2 4:2:0 Long GOP

1-100 Mbps

Audio: PCM, 48 KHz, 24 bits

Data: SMPTE 436M

Secondary Media Formats

Logos: OXT, OXA format

Graphics Sequences:

GMJ full screen zero load time graphics with key (generated by GV STRATUS Playout from image sequence and Adobe® formats)

Voice-overs: WAV, 48 KHz, 8, 16 or 24 bits

ORDERING

Densité 3 card

STRATUS-PLAY-SSP3801-375GB

STRATUS-PLAY-SSP3801-775GB

STRATUS-PLAY-SSP3801-1550GB

Description

GV STRATUS Playout SSP card, 375 GB

GV STRATUS Playout SSP card, 775 GB

GV STRATUS Playout SSP card, 1550 GB

Notes: Densité 3 SSP-3801 HD/SD solid state playout card (for use with GV STRATUS Playout). GV STRATUS Playout uses a media normalization tool to convert popular formats to OXT and OXA.



GVB-1-0177A-EN-DS

WWW.GRASSVALLEY.COM

Join the Conversation at [GrassValleyLive](#) on Facebook, Twitter, YouTube and [Grass Valley - A Belden Brand](#) on LinkedIn.



Belden, Belden Sending All The Right Signals and the Belden logo are trademarks or registered trademarks of Belden Inc. or its affiliated companies in the United States and other jurisdictions. Grass Valley, Densité and GV STRATUS are trademarks or registered trademarks of Grass Valley. Belden Inc., Grass Valley and other parties may also have trademark rights in other terms used herein.

Copyright © 2014 Grass Valley. All rights reserved.