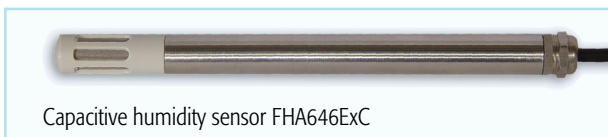


# HUMIDITY

## Capacitive humidity sensor FHA 646 E1C / E2C / E3C / E1 / -6



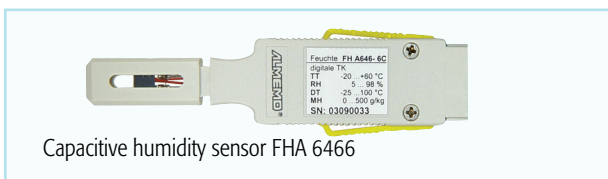
Capacitive humidity sensor FHA646ExC

- ▶ Sturdy sensor for test measurements and stationary applications up to +80 °C
- ▶ Sensor tube made of stainless steel
- ▶ Splash-protected screw-fit cable gland
- ▶ Active compensation of humidity measurement by means of the integrated temperature sensor (new measuring range for all ALMEMO® devices with effect from 2003)
- ▶ Wide operating temperature range
- ▶ **New** Option for FHA646ExC  
Sensor coating : Heavily polluted and / or corrosive environments may damage the humidity sensor and cause drift in the measured values. The coating that completely covers the probe head (temperature / humidity sensor element) minimizes the adverse effects of dirty media and much improves long-term stability. Delivery includes protective cap SK6 PTFE sinter filter (instead of standard protective cap SK7 metal-mesh filter)  
Order no. OA9646SC



Capacitive humidity sensor FHA 646 E1

- ▶ Handy sensor for test measurements and stationary applications up to +60 °C
- ▶ Sensor tube made of plastic



Capacitive humidity sensor FHA 6466

- ▶ Compact sensor integrated in ALMEMO® connector

### Accessories

Protective caps, brackets for wall mounting, movable screw fitting and connection flange see page 09.05

Extension cable, 2 meters

Extension cable, 4 meters

Intelligent ALMEMO® extension cable, 10 meters long

Other lengths 20, 30, 50, 100 meters see page 07.03

Order no. ZA9060VK2

Order no. ZA9060VK4

Order no. ZA9090VKC10

### Variants including manufacturer's test certificate

Humidity sensor -20 to +80 °C with stainless steel tube 160 mm, cable 1.5 meters

Humidity sensor -20 to +80 °C with stainless steel tube 270 mm, cable 1.5 meters

Humidity sensor -20 to +80 °C with stainless steel tube 530 mm, cable 1.5 meters

Humidity sensor -20 to +60 °C with plastic tube 155 mm, cable 1.5 meters

Humidity sensor -20 to +60 °C directly on connector (without cable)

**Order no. FHA646E1C**

**Order no. FHA646E2C**

**Order no. FHA646E3C**

**Order no. FHA646E1**

**Order no. FHA6466**

### Technical data

#### Operative range

FHA 646 E1, FHA 6466	-20 to +60 °C, 5 to 98 % RH
FHA646 E1C/ E2C/ E3C	-20 to +80 °C/ 5 to 98 % RH

#### Humidity measuring circuit

Measuring range	0 to 100 % RH
Sensor	capacitive
Accuracy	±2% RH in the range <90% RH at nominal temperature
Reproducibility	<1% RH at nominal temperature
Nominal temperature	25 ±3 °C
Sensor operating pressure	Atmospheric pressure
Response time T <sub>90</sub>	approx. 10 seconds (without filter) at 5 m/s

#### Temperature measuring circuit

Sensor	NTC type N
Accuracy	-20 to 0 °C ±0.4 °C
	0 to +70 °C ±0.1 °C
	+70 to +80 °C ±0.6 °C
Reproducibility	0.1 °C

#### Mechanical design

##### FHA646Ex

Sensor tube	Diameter 12 mm
FHA 646 E1C	Stainless steel 160 mm long
FHA 646 E2C	Stainless steel 270 mm long
FHA 646 E3C	Stainless steel 530 mm long
FHA 646 E1	Plastic 155 mm long

Protective cap	SK7, metal-mesh filter
Screw-fit cable gland	splash-protected (FHA646xC only)
Cable	1.5 meters long with ALMEMO® connector, longer ALMEMO® cable (up to 30 meters) available on request

FHA 6466	directly on connector (without cable), plastic 30 x 11 x 7.6 mm without filter
----------	--

## Protective caps for capacitive humidity sensors FHA 646 E1 / ExC and MH8D 461 Kx

01/2011 We reserve the right to make technical changes.

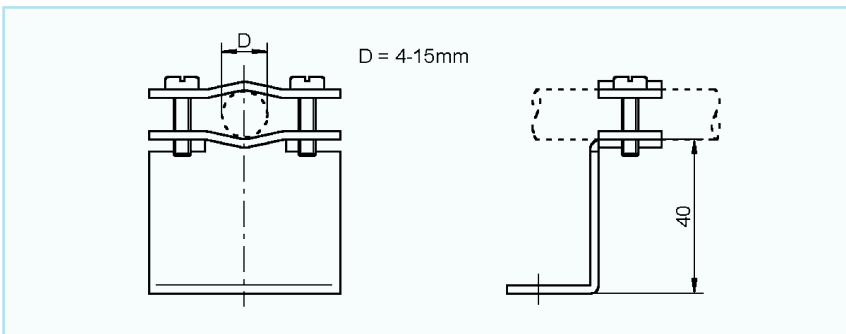


Dimensions : length approx. 33 mm, diameter 12 mm

### Types :

	Designation	Pore-size	Maximum temperature	Typical Application	Type
SK7	Metal-mesh filter in PC-housing	100 µm	120°C	Universal, for medium, contamination, also high humidity	<b>Order no. ZB9600SK7</b>
SK6	PTFE-Sinterfilter	50 µm	180°C	High chemical resistance	<b>Order no. ZB9600SK6</b>
SK8	Stainless steel sinter filter	10 µm	180°C	For severe mechanical stress, heavy contamination, strong air flow	<b>Order no. ZB9600SK8</b>

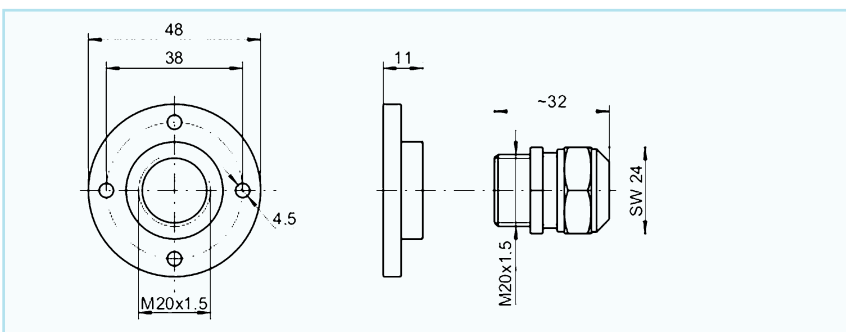
## Brackets for wall mounting



Brackets for wall mounting, distance from wall approx. 40 mm

Order no. : ZB9600W

## Movable screw fitting for sensor tube diameter 12 mm



Movable brass screw connection with plastic sealing ring  
Connecting flange for screw connection, hole circle 38 mm Ø

Order no. : ZB9600KV20  
Order no. : ZB9600F20